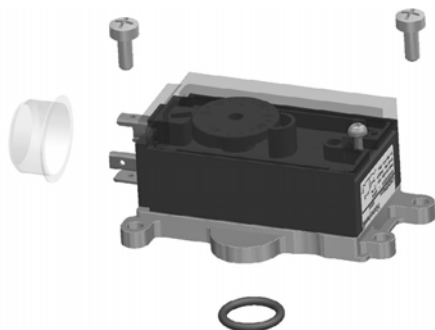


**C60VR40xxx****C60VRT40xxx**GAS PRESSURE SWITCH FOR VR400, VRB, V4730
AND V4734 COMBINATION GAS CONTROLS**INSTRUCTION SHEET****SPECIFICATION****Material**

Diaphragm: NBR
 Housing: PBT glass fiber reinforced
 Bottom: AISi 12
 Contacts: AgNi

Dimensions

See fig. 2

Ambient temperature

-15 ... 60 °C (+5 ... 140 °F).

Maximum test pressure

2 bar (29 psig), < 15 min.

Maximum operating pressure

See table 1.

Terminals

Conform DIN 43650

Electrical connection

AMP fast on 6.3 x 0.8 mm
 Din plug conform DIN 43650

Enclosure

IP 00

Accessories

Cable plug (conform DIN 43650): 45.900.429-050

APPLICATION

The gas pressure switch C60VR(T)40xxx functions as a minimum inlet gas pressure supervision with a safe start interlock. In combination with VR400, VRB, V4730 or V4734 gas control an SPDT contact is operated as a part of a safe start check circuit. Burner will not be allowed to operate unless the gas inlet pressure is above the set point.

DESCRIPTION

The gas pressure switch C60VR(T)40xxx is designed to be fitted directly on the body of a VR400, VRB, V4730 or V4734 combination gas control by means of two mounting screws and an O-ring.

Table 1 Models gas pressure switch C60VR(T)40xxx.

| Type | Approved | Range mbar | | Hysteresis | | Pmax | | Electrical rating resistive duty* | Switch type | Contact Resistance initial |
|-------------|----------|------------|----------|-------------|-----------|------|---------|--------------------------------------|----------------|-------------------------------|
| | | mbar | Inch wc | mbar | Inch wc | mbar | Inch wc | | | |
| C60VR40040 | CE | 5 - 40 | 2 - 16 | 1.5 ... 2.5 | 0.6 - 1 | 600 | 8.5 | 24 ... 250 Vac, 5(0.5)A | SPDT | <80mΩ |
| C60VRT40040 | UL | 5 - 40 | 2 - 16 | 1.5 ... 2.5 | 0.6 - 1 | 600 | 8.5 | 24 ... 250 Vac, 5(0.5)A | SPDT | <80mΩ |
| C60VR40110 | CE | 30 - 110 | 12 - 44 | 4 ... 12 | 1.6 - 4.8 | 600 | 8.5 | 24 ... 250 Vac, 5(0.5)A | SPDT | <80mΩ |
| C60VRT40110 | UL | 30 - 110 | 12 - 44 | 4 ... 12 | 1.6 - 4.8 | 600 | 8.5 | 24 ... 250 Vac, 5(0.5)A | SPDT | <80mΩ |
| C60VR40300 | CE | 100 - 300 | 40 - 12- | 15 ... 30 | 6 - 12 | 600 | 8.5 | 24 ... 250 Vac, 5(0.5)A | SPDT | <80mΩ |
| C60VRT40300 | UL | 100 - 300 | 40 - 12- | 15 ... 30 | 6 - 12 | 600 | 8.5 | 24 ... 250 Vac, 5(0.5)A | SPDT | <80mΩ |

* Values between brackets (..) valid for $\cos \varphi = 0.6$.

INSTALLATION, ADJUSTMENTS AND FINAL CHECKOUT

⚠ WARNING

Improper installation, adjustment, modification, operation or maintenance could lead to injury or damage. All adjustments must be made by a qualified technician.

IMPORTANT

Be sure the product is suitable for your application, otherwise consult Honeywell application engineers. Installer must be a trained experienced service man. Turn off gas supply before starting installation. Disconnect power supply to prevent electrical shock and/or equipment damage. Do not turn sealed adjustment screw. Adjustments should be made by qualified persons only.

Mounting (See fig. 3., 4., 5. and 6.)

- Mounting position arbitrary, but preferably with horizontal or vertical diaphragm – with clear view to the scale disk.
- The housing must not touch its surrounding walls – minimum distance 25 mm (1 inch).
- Remove concerning pressure tap plug from the gas valve body.
- Position the gas pressure switch with O-ring.
- Place the mounting screws and tighten with a torque of 3.5 Nm.

CAUTION

Do not turn mounting screw more tightly than specified above because of possible damage.

⚠ WIRING

⚠ WARNING

Wiring must comply with local codes and the National electrical codes. To prevent the possibility of property damage turn off electrical power, depressurize installation, vent fluid to a safe area before servicing. Avoid locations where terminals can be exposed to splashes of water.

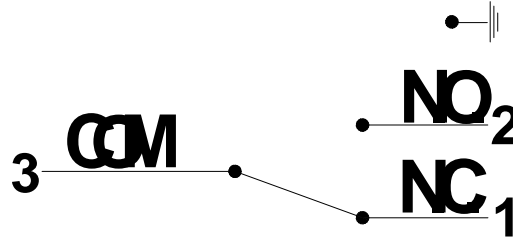


Figure 1 Terminal Connection.

Lead colors

- 1 = normally closed (NC) = bleu
- 2 = normally open (NO) = red
- 3 = common (COM) = black
- 4 = ground = yellow/green

ADJUSTING THE REQUIRED SWITCHING PRESSURE

The set switching pressure is obtained: with ambient temperature 0 °C to 60 °C (32 °F to 140 °F) with increasing pressure.

- With vertical diaphragm: No deviation from the set pressure.
- With horizontal diaphragm (male connection side upside): the switching pressure is approximately -0.2 mbar (-0.08 inch wc) less than reading.
- With horizontal diaphragm (male connection side downside): the switching pressure is approximately +0.2 mbar (+0.08 inch wc) higher than reading.

Adjustment

- Remove cover.
- Turn adjustment knob to the appropriate pressure setting.
- Mount cover.

Checkout

Before leaving, set appliance in operation and observe through a complete cycle to ensure that burner system components function correctly.

⚠ WARNING

Tightness test after installation

- Spray all pipe connections and gaskets with a good quality gas leak detection spray.
- Start the appliance and check for bubbles. If a leak is found in a pipe connection, remake the joint. A gasket leak can usually be stopped by tightening the mounting screws, otherwise, replace the gas valve.

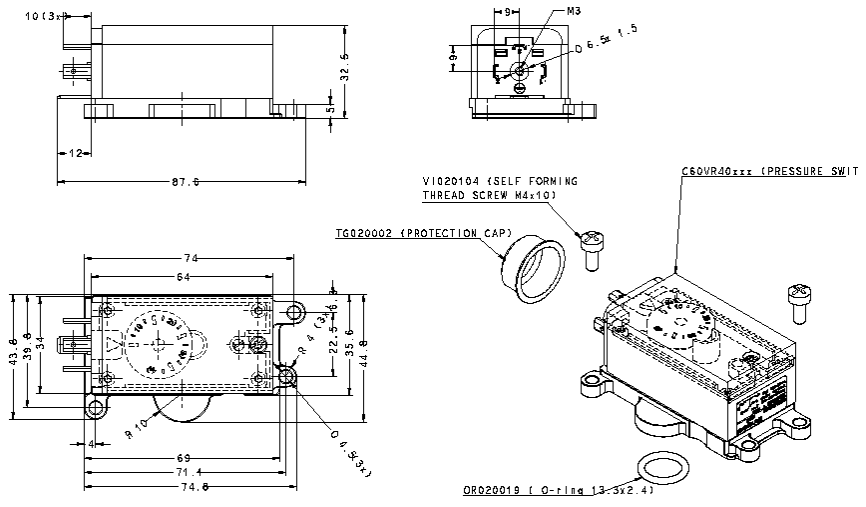


Figure 2 Dimensions C60VR(T)xxx

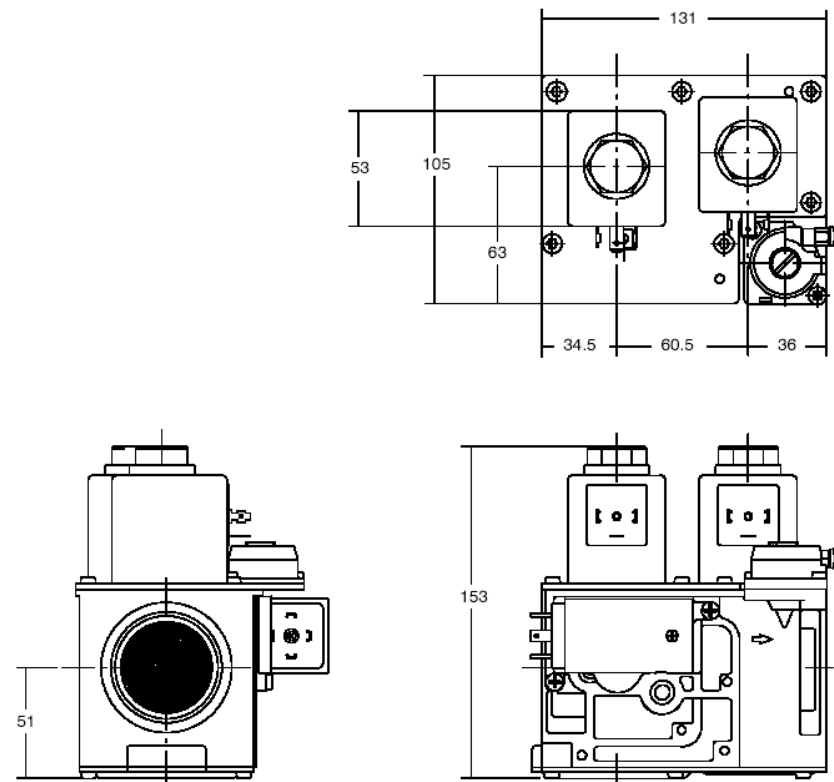


Figure 3 VRB15/VRB20/VRB25 series with gas pressure switch.

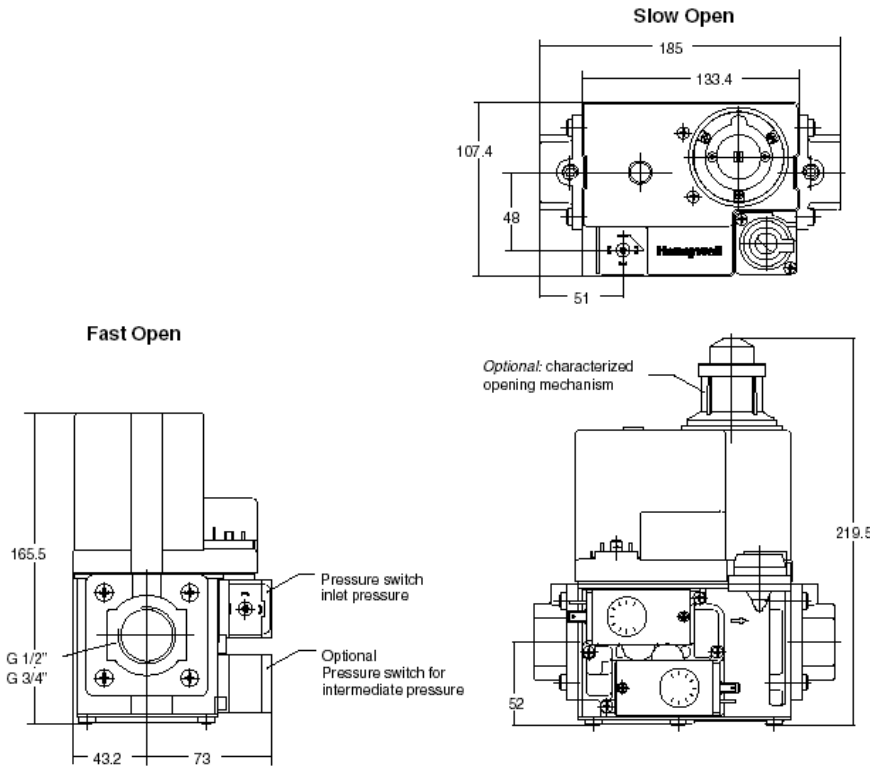


Figure 4 VR415/VR420, VR815/VR820 and V4730 (1/2" and 3/4") series with gas pressure switch.

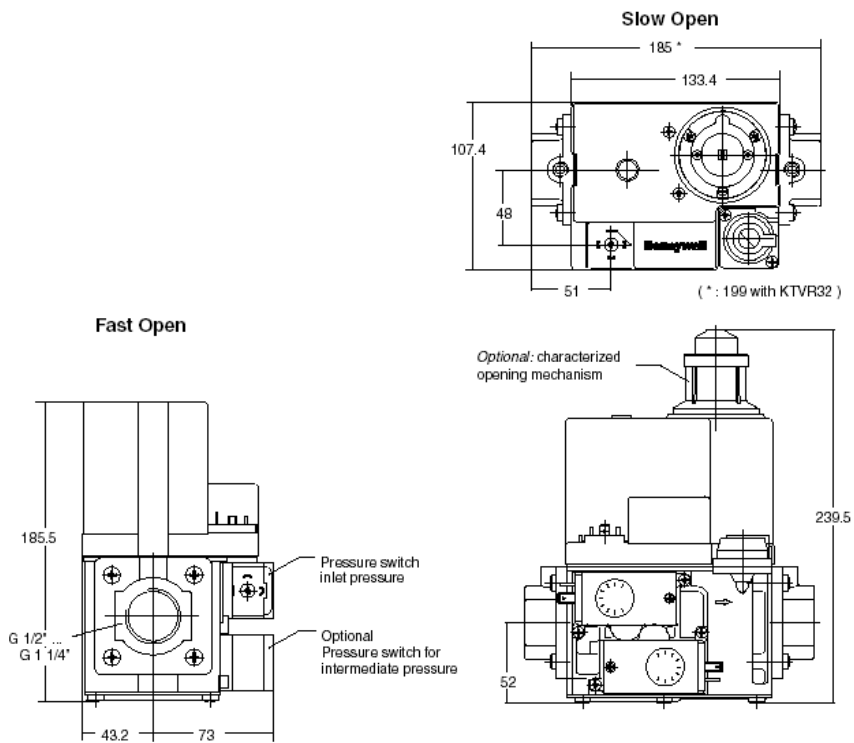


Figure 5 VR425/VR432, VR825/VR832 and V4730 (1" and 1 1/4") series with gas pressure switch.

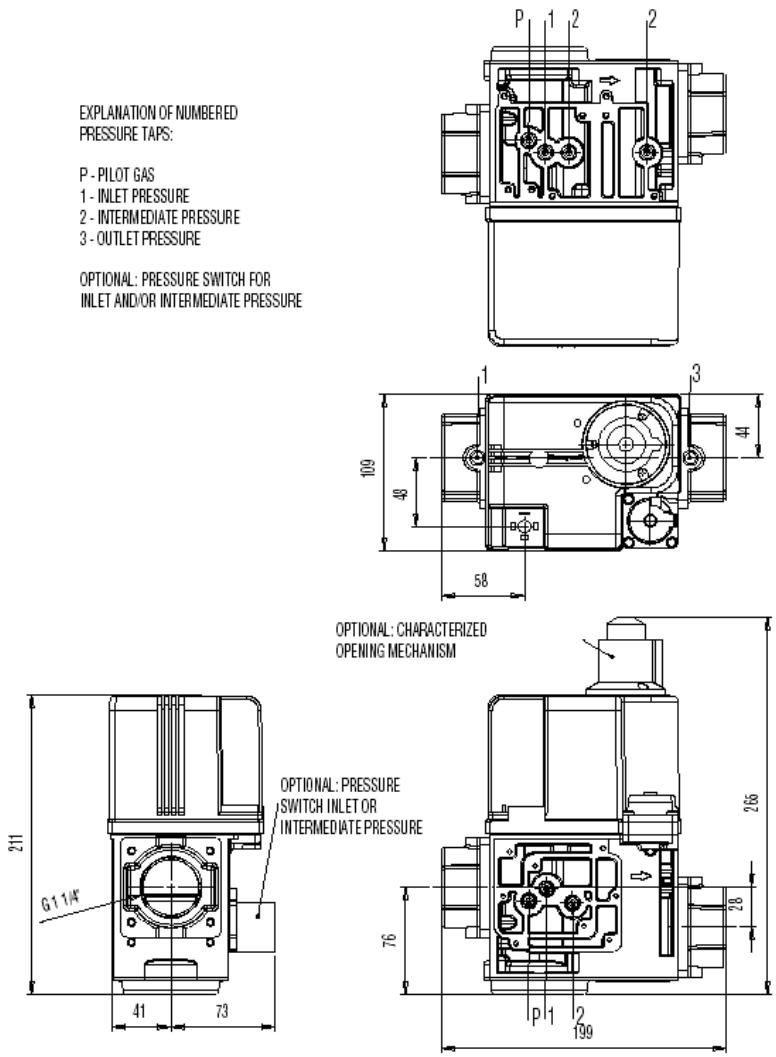


Figure 6 VR434, VR834 and V4734 series with gas pressure switch



EU – Konformitätserklärung EU Declaration of Conformity

Seite/Page 1/1

Gültig ab 21. April 2018, valid from 21 April 2018

| | |
|---|--|
| Produkt <i>Product</i> | Gas-Druckwächter <i>Pressure Switches for gas</i> |
| Typ, Ausführung <i>Type, Model</i> | DG..15 C, ..17 VC, ..30 VC, ..35 C, ..40 VC, ..45 VC, ..60 VC,..110C ..110 VC, ..150 VC, ..250 C, ..300 VC,..360 C,..500 VC (Kromschroder) C60VR40..040, ..110, ...300; 45900438...(Honeywell) |
| Markenname <i>Branding</i> | krom schroder oder or Honeywell |
| Produkt-ID-Nummer <i>Product ID number</i> | CE-0085AQ0753 |
| EU-Rechtsvorschriften <i>EU Acts</i> | (EU) 2016/426 GAR 2014/30/EU EMC 2014/35/EU LVD |
| Normen <i>Standards</i> | EN 13611:2015+AC:2016 EN 1854:2010 |
| EU-Baumusterprüfung <i>EU-Type Examination</i> | (EU) 2016/426 Annex III paragraph 1 Deutscher Verein des Gas- und Wasserfaches e.V. (DVGW), Notified Body 0085 |
| Überwachungsverfahren <i>Surveillance Procedure</i> | (EU) 2016/426 Annex III paragraph 3 Kiwa Nederland B.V. Notified Body 0063 |

Wir erklären als Hersteller:

Die entsprechend gekennzeichneten Produkte erfüllen die Anforderungen der aufgeführten Richtlinien, Verordnungen und Normen. Sie stimmen mit dem geprüften Baumuster überein. Die Herstellung unterliegt dem genannten Überwachungsverfahren.

Diese Produkte entsprechen den Stoffbeschränkungen, die in RoHS II gelistet sind, aber fallen nicht in den Anwendungsbereich der RoHS II (2011/65/EU). Die dazugehörige Betriebsanleitung liegt dem Produkt bei oder kann unter <http://docuthek.kromschroeder.com> heruntergeladen werden.

In our capacity as manufacturer, we hereby declare:

Products labelled accordingly meet the requirements of the listed directives, regulations and standards. They correspond to the tested type samples. The production is subject to the stated surveillance procedure. This products comply with the substance restrictions of RoHS II, but they are not in the scope of the directive RoHS II (2011/65/EU). The corresponding operating instructions are included with the product or can be downloaded from <http://docuthek.kromschroeder.com>.

2018-04-18


ISC Director
Ulrich Clasemann

Elster GmbH, Postfach 2809, 49018 Osnabrück; Strothweg 1, 49504 Lotte, Deutschland/Germany

Honeywell Products and Solutions Sàrl
Z.A. La Pièce 16
1180 Rolle
Switzerland

<http://thermalsolutions.honeywell.com>