

FLAMETOOLS-PC

INSTALLATION INSTRUCTIONS

APPLICATION

FLAMETOOLS-PC application allows remote configuration, monitoring and alarm logging of the following products from a PC:

- 700 Signal Processor with S702 and S706 Viewing Heads
- P520/P522 Signal Processors with S55xBE Viewing Head
- P531/P532 Signal Processors with S55xBE and S70X Viewing Heads
- U2 Combination Viewing Head and Signal Processor

Requirements: OS Windows XP, 7 or 8, at least 5 MB space on HDD, display resolution 1024x768 (XGA) or higher, a free USB port (1.1 or 2.0).

QUICK STEPS

1. Install RS-485/422 to USB converter drivers from the CD. **INSTALL THE DRIVER BEFORE CONNECTING THE CONVERTER TO THE PC!** Insert the CD into your CD-ROM drive. The setup.exe program should run automatically. If it does not, browse the root directory of the CD (using "My computer" or "Explorer") for setup.exe file and execute it. Follow the instructions during installation process.
Alternatively, the driver software can be downloaded from B&B Electronics website, <http://www.bb-elec.com/>
2. Install FLAMETOOLS-PC from the USB Flash Drive. Insert the USB key into a USB port. The setup.exe program should run automatically. If it does not, browse the root directory of the USB key (using "My computer" or "Explorer") for setup.exe file and execute it. Follow the instructions during installation process. You must be logged in as an administrator to install this program.
3. Connect the Industrial Flame Monitoring Signal Processors to the RS-485/422 side of the RS-485/422 to USB converter. Refer to the wiring details further in this document, see Figures 3 - 6.
4. Connect the RS-485/422 to USB converter to your computer using a USB cable.
5. Run FLAMETOOLS-PC application. Run the program by double clicking the FLAMETOOLS-PC icon on your desktop or by clicking "Start" "All programs" "FLAMETOOLS-PC" "FLAMETOOLS-PC".

WIRING

For communication wiring, 2 wire or 4 wire twisted pair with shield is recommended. Braided shield is preferred over wrapped shield especially for longer cable lengths (over 50 feet [15 m]). The maximum cable length of RS-485/422 bus is 4900 feet [1500 m].

1. Shielded Cable gage should be minimum AWG 18 (1.0 mm) for shorter cable lengths (50 feet [15 m] maximum) and minimum 16 AWG (1.3 mm) for longer cable lengths. The outer material should be plant standard to meet environment requirements.



CONNECTION ON CONVERTER

The recommended RS-485/422 to USB converter is USOPTL4 model from B&B Electronics. One unit is shipped in the FLAMETOOLS-PC package.

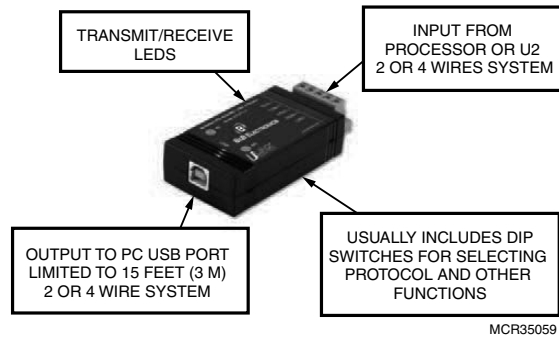


Fig. 1. RS-485/422 to USB Converter.

TDA (-)	TRANSMIT INVERTING LINE
TDB (+)	TRANSMIT NON-INVERTING LINE
RDA (-)	RECEIVE INVERTING LINE
RDB (+)	RECEIVE NON-INVERTING LINE
GND	GROUND REFERENCE

700 AC AND DC SIGNAL PROCESSORS

700 AC and DC Signal Processors include two (2) RJ-11 connections on the top of the device. When installing in panel make sure sufficient space is left to install cables to the RJ-11 connector.

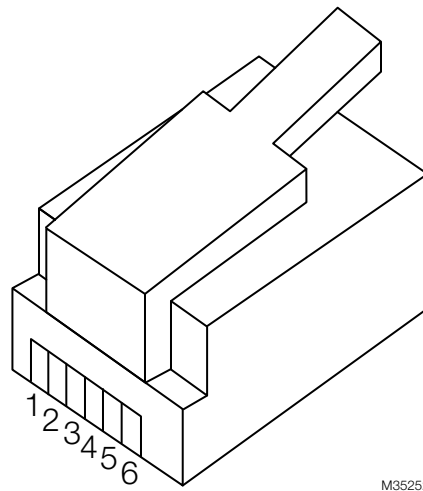


Fig. 2. RJ-11 connector.

On the RS-485/422 to USB converter, select the appropriate DIP switch settings for RS-422 communication.

The default protocol of 700 Signal Processor must be changed in order to use Modbus communication. Use the following key sequence below at the front panel:

1. Press and hold BNR-OFF SEQ START/END button for 2 seconds
2. Press up arrow to change setting from P0 to P1.
3. Press STORE

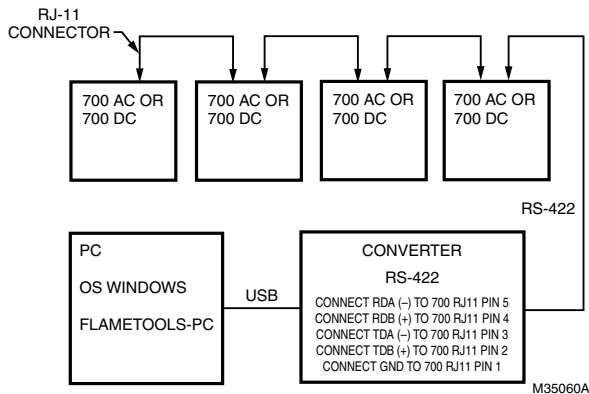


Fig. 3. 700 AC and DC Signal Processor wiring.

P520 AND P522 AC AND DC SIGNAL PROCESSORS

P520 and P522 AC and DC Signal Processors include a 4 wire plug in connector located at the bottom of the P522 Signal Processor. The panel internal wiring can be lower gage wire than field wire as long as shielded cables are used.

On the RS-485/422 to USB converter, select the appropriate DIP switch settings for RS-422 communication.

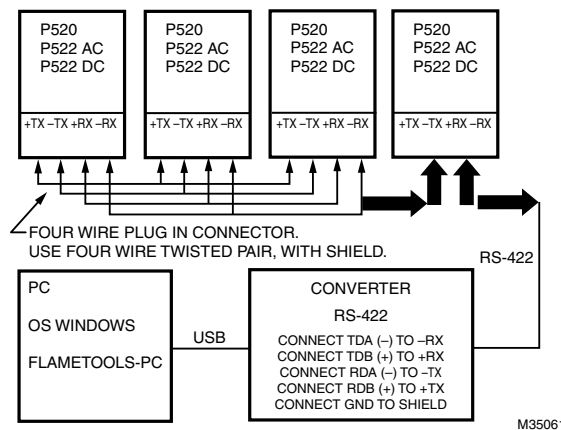


Fig. 4. P520 and P522 AC and DC Signal Processor wiring.

P531 AND P532 SIGNAL PROCESSORS

P531 and P532 AC and DC Signal Processors include two (2) RJ-11 connections on the bottom of device on either side.

On the RS-485/422 to USB converter, select the appropriate DIP switch settings for RS-422 communication.

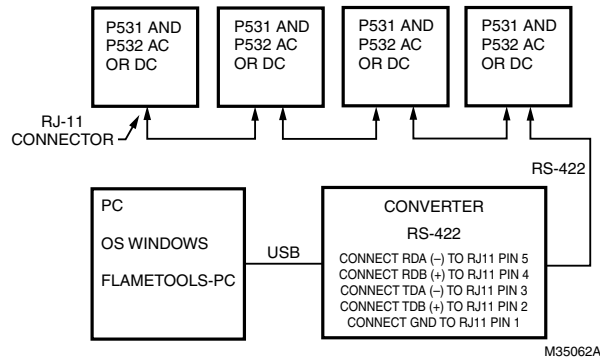


Fig. 5. P531 and P532 AC and DC Signal Processor wiring.

U2 COMBINATION VIEWING HEAD AND SIGNAL PROCESSOR

U2 Combination Viewing Head and Signal Processor is an integrated unit. For detail connection, refer to manual 60-2071. For quick disconnect -RS485 wire is yellow and +RS485 is white. For PF version -RS485 is Brown and +RS485 is white.

On the converter, select the appropriate DIP switch settings for RS-485 communication.

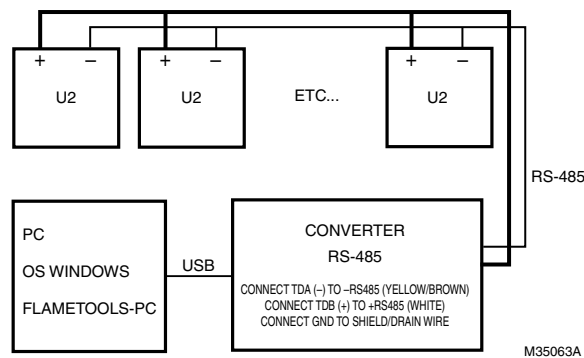


Fig. 6. U2 Combination Viewing Head and Signal Processor wiring.

USER GUIDE

The detailed User Guide for FLAMETOOLS-PC application in PDF format can be found on the USB key, file 32-00001_A.pdf.

After installation of FLAMETOOLS-PC application on the PC, the same file can be accessed in "Start" "All Programs" "FLAMETOOLS-PC" "FLAMETOOLS-PC User Guide".

Automation and Control Solutions

Honeywell International Inc.
1985 Douglas Drive North
Golden Valley, MN 55422
customer.honeywell.com

