

V5197A DN65/80 Throttle Gas Valves



Combustion Solutions
Burner & Boiler Control Europe



V5197A Throttle Gas Valves

The V5197A are firing rate valves used to provide variable flow control of air, natural gas, liquefied petroleum (LP), and manufactured gases. The V5197A are actuated by a firing rate motor that can be mounted directly on the valves. The V5197A is not applicable as a safety shutoff valve.

The V5197A is specially designed to provide fine control of gas flow in applications where a high turn down ratio is required.

The maximum flow adjustment screw on the bottom of the valve allows adjusting the maximum flow of gas through the V5197A while maintaining the linear modulating characteristics and stroke.

Features

- Accurate flow modulation
- 90 to 1 turndown ratio
- Visual position indicator
- Two downstream 1/4 inch BSP threaded pressure taps available
- Flow adjustment screw on bottom of valve controls maximum flow
- Adaptable with all Honeywell DCA's and Mod IV Motors via adapter bracket kits

Specifications

Models

Valves:

V5197A1029 (DN65)
V5197A1037 (DN80)

Adapter bracket kits:

KTFRG01 (DCA)
KTFRG02 (LKS)
KTFRG03 (MT4000)
KTFRG04 (MF4000)
KTFRG05 (Mod IV)

Maximum operating Pressure

1 Bar (15 psi)

Torsion and bending stress

Group 2

Ambient temperature range

-40°C to +66°C ; (-40°F to +150°F)

Opening time

Dependent on actuator/Mod IV Motor

Supply voltages/ Electrical connections/Enclosure

Dependent on actuator/Mod IV Motor

220...240 Vac, 50/60 Hz

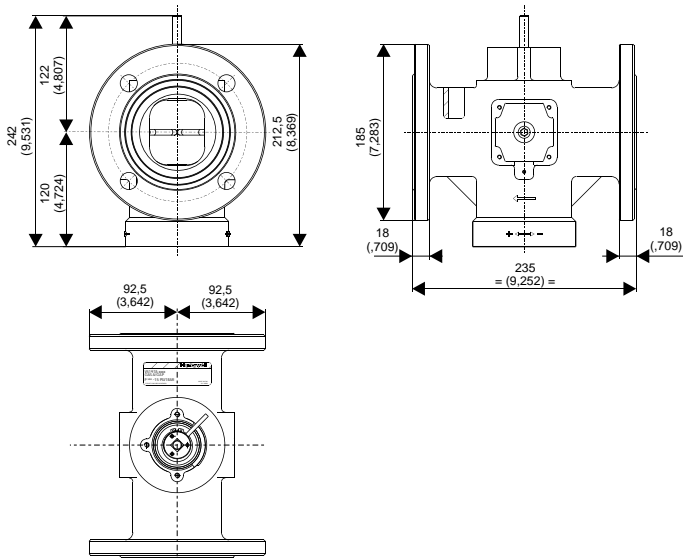
120 Vac, 50/60 Hz

Standards and Approvals

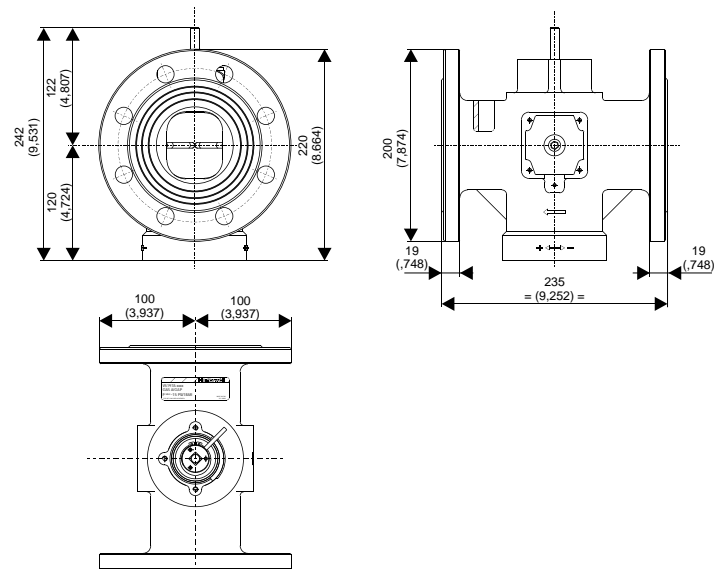
CE approved

P.I.N.: 0063BM1882

V5197A (DN65)



V5197A (DN80)



Honeywell

**Honeywell Burner Boiler
Control Center Europe**
Satronic AG
Honeywell-Platz 1
CH-8157 Dielsdorf
Switzerland
Phone +41 1 855 22 11
Fax +41 1 855 22 22

Honeywell UGV S.r.l
Via Ferrero, 16
I-10090 Cascine-Vica Rivoli (To)
Turin
Italy
Phone +39 011 957 83 11
Fax +39 011 957 83 22