

VF5000 Series

MANUALLY OPERATED BUTTERFLY VALVE

INSTRUCTION SHEET



Maximum operating pressure

500 mbar

Torsion and bending stress

Pipe connections meet group 2 according to EN161 requirements.

Ambient temperature range

-15 ... 100 °C

Valve body

Aluminum alloy diecast

INSTALLATION

See Figure 1. Installation drawing VF5000A on page 2.

IMPORTANT

1. Read these instructions carefully, failure to follow the instructions could damage the product or cause hazardous condition.
2. Check the ratings given in the instructions and on the product to make sure the product is suitable for your application.
3. The installation has to be carried out by qualified personnel only.
4. Carry out a thorough checkout when installation is completed.

APPLICATION

These series manually operated butterfly valves are used to control and govern the burner airlock of gas burners. The VF5000 Series can be equipped with the MT4000 Series and MF4000 Series servomotors. The choice of the servo motor depends on the working pressure and size of the butterfly valve. The MF4000 Series is typically used in 360 mbar maximum working pressure applications and on sizes DN50 and larger.

SPECIFICATIONS

Models

VF5000A3

Dimensions

See Figure. 1. Installation drawing VF5000A on page 2.

Pipe sizes

Inlet and outlet flanged connection DN25 up to DN150 according to PN16 ISO 7005--1.

Capacity

See Fig. 2. Capacity curves VF5000A Series on page 5.

Mounting and orientation

The gas valve can be mounted in all positions (only without motor).

Mounting location

The distance between the gas valve and wall/ground must be at least 30 cm.

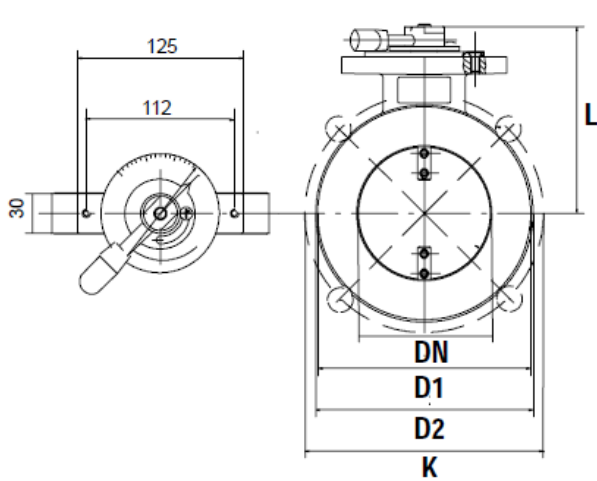


WARNING

Turn off gas supply before installation.

Main gas connection

1. Take care that dirt does not enter the gas valve during handling
2. Place the gaskets. If necessary grease it slightly to keep it in place.
3. Mount the gas valve between the flanges using the bolts for each flange.



Passing DN	Overall dimensions (mm)			
	L	D1	D2	K*
25	96	73	71	85
32	84	84	81	100
40	94	94	91	110
50	109	109	105	125
65	129	129	126	145
80	144	144	141	160
100	164	164	161	180
125	194	194	191	210
150	220	220	217	240

*K = diameter bolt circle

Fig. 1. Installation drawing VF5000A

⚠ WARNING

Tightness test after installation

- spray all pipe connections and gaskets with a gas leak detection spray.
- Start the application and check for bubbles. If a leak is detected in a pipe connection, remake the joint.

ADJUSTMENT AND CHECKOUT

See capacity curves on page 2.

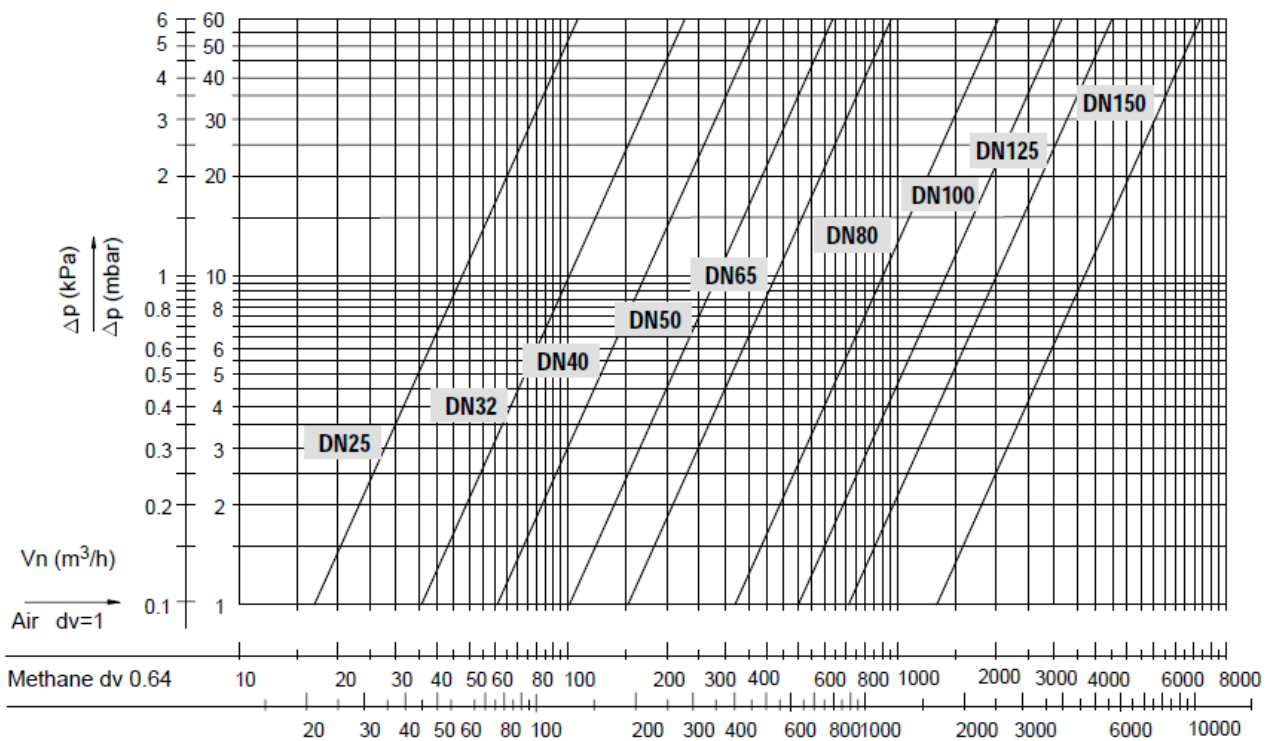


Fig. 2. Capacity curves VF5000 Series (capacity in m³/h air at $\Delta p=2,5$ mbar (SG=1 at 1013 mbar, 15°C))

STANDARDS AND APPROVALS



EU – Declaration of Conformity

Page 1/1

Branding	Honeywell		
Product	Manual throttle gas valves		
Type & Models	VF5xxx A/R xxxx		
Product-ID-Number	CE-0063AR1583		
EU-Acts	2009/142/EC	GAD	Till April 21'st 2018
	2016/426/EU	GAR	From April 21'st 2018
	2014/30/EU	EMC Immunity	
	2014/35/EU	LVD	
		Conformation emission only in application	
Standards	EN161:2012	Multifunctional Controls	
EU-Type Examination	(EU) 2016/426 Annex III paragraph 1 Kiwa Nederland B.V., Notified Body 0063		
Surveillance Procedure	(EU) 2016/426 Annex III paragraph 3 Kiwa Nederland B.V. Notified Body 0063		

In our capacity as manufacturer, we hereby declare:

Products labelled accordingly meet the requirements of the listed directives, regulations and standards. They correspond to the tested type samples. The production is subject to the stated surveillance procedure. These products comply with the substance restrictions of RoHS II, but they are not in the scope of the directive RoHS II (2011/65/EU). The corresponding operating/installation instructions can be downloaded from:

<https://products.ecc.emea.honeywell.com/europe/>

2018-03-19

Manager Standards and Approvals
J. Hepping

Honeywell Products & Solutions Sarl, Rolle, Switzerland

Europe:
Honeywell Products & Solutions Sàrl
Z.A. La LPièce 16
1180 Rolle
Switzerland